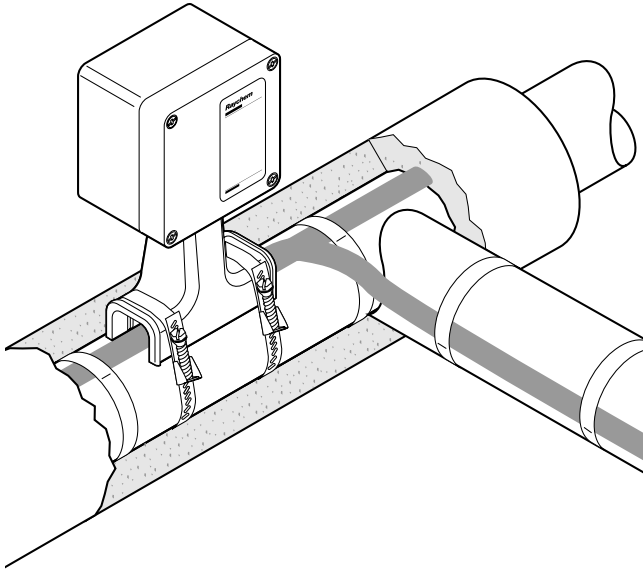


# **Raychem** T-100

## SPLICE OR TEE CONNECTION KIT



The T-100 is an above-insulation splice or tee kit, designed for use with up to three Raychem BTV, QTVR, XTV, KTV or VPL industrial parallel heating cables. It is approved for use in hazardous locations.

The rugged stand protects the heating cable and allows for up to 100 mm (4") of thermal insulation. The core sealing boot does not require a heat gun or torch for the installation (no hot work permit necessary).

The non-curing sealant (silicone free) in the boot allows easy installation and facilitates maintenance.

The T-100 significantly reduces installation and maintenance time and effort.

### DESCRIPTION




This kit is an above-insulation splice/tee, appropriate for use worldwide with no requirements for local customization.

### KIT CONTENTS

- 1 splice/tee enclosure and lid
- 1 stand assembly
- 3 core sealers
- 3 green/yellow earthing sleeve
- 3 compression crimps
- 3 crimping insulating tubes
- 1 polywater sachet
- 1 spanner
- 1 strain relief assembly
- 2 grommet plugs
- 1 installation instruction

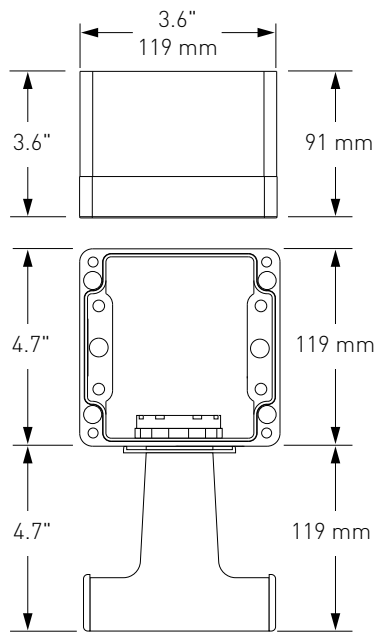
**APPROVALS**

**Hazardous locations**

 	Class I, Div. 2, Groups A, B, C, D Class II, Div. 1 & 2, Groups E, F, G Class III	PTB 09 ATEX 1043 U II 2 G Ex e II II 2 D tD A21 IP66 IECEX PTB 09.0023U Ex e II Ex tD A21 IP66
	 Class I, Zone 1, AEx e IIC	DNV approval DNV Certificates No. E-11564 and No. E-11565

This product also has all required approvals for use in Kazakhstan, Russia and other countries. Contact your local Pentair Thermal Management representative for more details.

**DIMENSIONS (IN MM)**



**PRODUCT SPECIFICATIONS**

Heating cable capability	BTV-CR, BTV-CT, QTVR-CT, XTV-CT, KTV-CT, VPL
Ingress protection	NEMA Type 4X IP66 and IP67
Min. installation temperature	-50°C
Max. pipe temperature	Refer to heating cable specification
Ambient temperature range:	-50°C to +56°C
Max. operating voltage	277 Vac for FM, CSA, 480 Vac for PTB
Max. continuous operating current	50 A heating cable circuit for FM, CSA 40 A heating cable circuit for PTB

**MATERIALS OF CONSTRUCTION**

Enclosure, lid, and stand	Electrostatic charge-resistant glass-filled engineered polymer, black
Lid screws	Stainless steel
Lid gasket	Silicone rubber

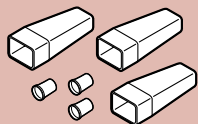
**ORDERING DETAILS**

Part description	T-100
PN (Weight)	447379-000 (2.5 lb /1.2 kg)

**ACCESSORIES**

Crimp tool	T-100-CT (not included in the kit, equivalent to Panduit: CT-1570)
PN	954799-000

Spare crimps and insulating tubes	T-100-CRIMP-KIT (spare part only)
-----------------------------------	-----------------------------------



PN	577853-000
Small pipe adaptor	JBМ-SPA, required for pipes $\leq$ 1" (DN 25), D55673-000 (bag of 5 adaptors)



[WWW.PENTAIRTHERMAL.COM](http://WWW.PENTAIRTHERMAL.COM)

**EUROPE, MIDDLE EAST, AFRICA**

Tel: +32.16.213.511  
Fax: +32.16.213.603  
[thermal.info@pentair.com](mailto:thermal.info@pentair.com)

**UNITED KINGDOM**

Tel: 0800 969 013  
Fax: 0800 968 6241  
[salesthermaluk@pentair.com](mailto:salesthermaluk@pentair.com)

**IRELAND**

Tel: 1800 654 241  
Fax: 1800 654 240  
[salesie@pentair.com](mailto:salesie@pentair.com)

All Pentair trademarks and logos are owned by Pentair. All other brand or product names are trademarks or registered marks of their respective owners. Because we are continuously improving our products and services, Pentair reserves the right to change specifications without prior notice. Pentair is an equal opportunity employer.

© 2013 Pentair. All Rights Reserved.