



Multiple-entry power/tee connection with junction box

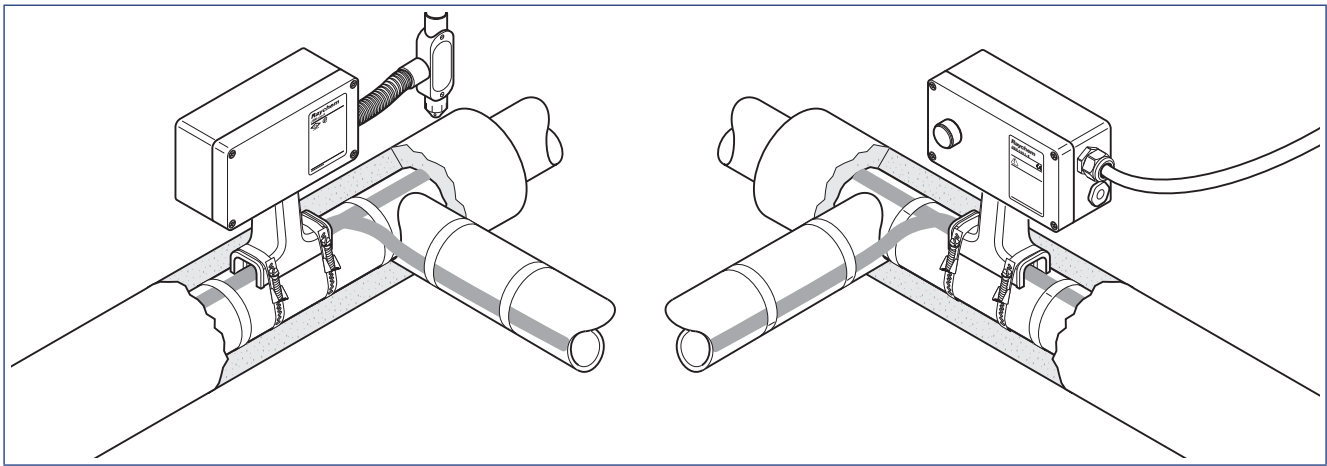
The JBM-100 kit is designed to connect power to up to three Raychem BTV, QTVR, XTV, KTV, or VPL industrial parallel heating cables and is approved by FM, CSA, and PTB for use in hazardous locations.

The JBM-100 integrates the functions of both connection kits and insulation entries. The rugged stand protects the heating cable and allows for up to 100 mm (4") of thermal insulation.

The core sealing boot does not require a heat gun or torch for the installation (no hot work permit necessary). The non-curing sealant (silicone free) in the boot allows easy installation and facilitates maintenance.

Spring-type terminals provide fast installation and safe, reliable, maintenance-free operation. This connection kit significantly reduces installation time.

The kit is offered in three basic versions, customised for local installation practices. All kits are also available as a lighted version. These include a unique light module with a superbright LED that simply plugs into the terminals, and a lens in the lid. This provides indication that power is available in the box.



JBM-100-A JBM-100-L-A

JBM-100-E JBM-100-L-E

JBM-100-EP JBM-100-L-EP

Description

This kit is for use in North America and has two 3/4" through holes for use with 3/4" conduit. One stopping plug is supplied in the kit.

This kit is for use in Europe and provides two M25 threaded entries, one stopping plug, and one plastic power cable gland.

This kit is for use in Europe and provides two M25 threaded entries, an earthing plate, and an external earthing stud. It is designed for use with armoured cables.

Kit contents

- 1 junction box with terminals
- 1 light module (for -L only)
- 1 stand
- 3 core sealers
- 3 green/yellow earthing sleeve
- 1 3/4" stopping plug
- 1 polywater sachet
- 1 spanner
- 1 strain relief assembly
- 2 grommet plugs

- 1 junction box with terminals
- 1 light module (for -L only)
- 1 stand
- 3 core sealers
- 3 green/yellow earthing sleeve
- 1 M25 gland for power cable 8–17 mm in diameter
- 1 M25 stopping plug
- 1 polywater sachet
- 1 spanner
- 1 strain relief assembly
- 2 grommet plugs

- 1 junction box with terminals, earth continuity plate, and stud
- 1 light module (for -L only)
- 1 stand
- 3 core sealers
- 3 green/yellow earthing sleeve
- 2 M25 stopping plugs
- 1 polywater sachet
- 1 spanner
- 1 strain relief assembly
- 2 grommet plugs

Approvals

Hazardous locations



Class I, Div. 2,
Groups A, B, C, D

PTB 09 ATEX 1056U

PTB 09 ATEX 1056U



Class II, Div. 1 & 2,
Groups E, F, G
Class III

Ex II 2G Ex e (e mb) II

Ex II 2G Ex e (e mb) II

Ex II 2D Ex tD (tD mbD) A21 IP66

Ex II 2D Ex tD (tD mbD) A21 IP66

IECEX PTB 09.0027U

IECEX PTB 09.0027U

Ex e (e mb) II

Ex e (e mb) II

Ex tD (tD mbD) A21 IP 66

Ex tD (tD mbD) A21 IP 66



⁽¹⁾ CLI, ZN1, AEx e IIT*
CLI, ZN1, AEx em IIT*
(for -L only)



Ex e IIT*
Ex em IIT* (for -L only)



Ex e IIT*
Ex em IIT* (for -L only)



Ex e IIT*
Ex em IIT* (for -L only)

DNV approval
DNV Certificates No. E-8933
and No. E-8934

DNV approval
DNV Certificates No. E-8933
and No. E-8934

*For Trating, see heating cable or design documentation

⁽¹⁾ Except VPL

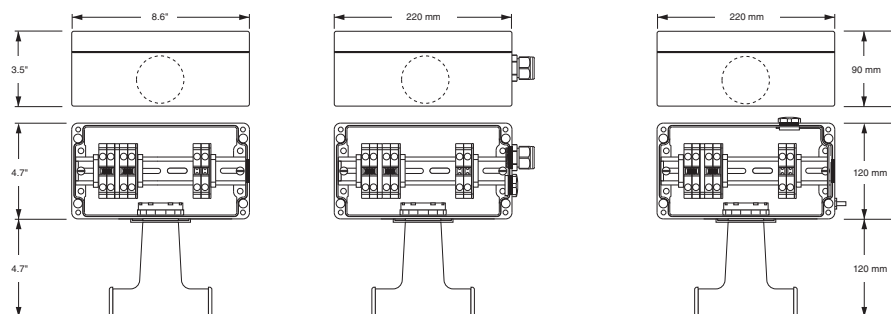
This product also has all required approvals for use in Kazakhstan, Russia and other countries.
Contact your local Tyco Thermal Controls representative for more details.

JBM-100-A JBM-100-L-A

JBM-100-E JBM-100-L-E

JBM-100-EP JBM-100-L-EP

Dimensions (nominal)



Product specifications

Heating cable capability	BTV-CR, BTV-CT, QTVR-CT, XTV-CT, KTV-CT, VPL-CT		
Ingress protection	NEMA Type 4X	IP66	IP66
Entries	1 x 3/4"	2 x M25 including power cable gland for diameter 8-17 mm	2 x M25
Ambient temperature range	-50°C to +40°C	-50°C to +56°C* (JBM-100-E) -40°C to +40°C (JBM-100-L-E)	-50°C to +56°C* (JBM-100-EP) -40°C to +40°C (JBM-100-L-EP)
<i>*Extra conditions for safe use apply for ambient temperatures above +40°C. Please refer to the summary on page 170, the certificate or installation instructions for full details.</i>			
Min. installation temperature	-50°C	-50°C	-50°C
Max. pipe temperature	Refer to heating cable specification		
Terminals	Spring-type terminals line, 2 ground	Spring-type terminals 2 phase, 2 neutral, 2 earth	Spring-type terminals 2 phase, 2 neutral, 2 earth
Max. conductor size	8 AWG stranded	10 mm ² stranded, 10 mm ² solid	10 mm ² stranded, 10 mm ² solid
Max. operating voltage	277 Vac	480 Vac*	480 Vac*
<i>*JBM-100-L-E and JBM-100-L-EP are limited to 254 Vac. Extra conditions for safe use apply for voltages higher than 254 Vac. Please refer to the summary on page 170, the certificate or installation instructions for full details.</i>			
Max. continuous operating current	50 A heating cable circuit	40 A heating cable circuit	40 A heating cable circuit

Materials of construction

Enclosure, lid, and stand	Electrostatic charge-resistant glass-filled engineered polymer, black	electrostatic charge-resistant glass-filled engineered polymer, black	electrostatic charge-resistant glass-filled engineered polymer, black
Lid screws	Stainless steel	Stainless steel	Stainless steel
Lid gasket	Silicone rubber	Silicone rubber	Silicone rubber
Earth continuity plate	N/A	N/A	Steel, zinc plated, and blue chromated

Optional LED indicator light

Colour	Red	Green	Green
Voltage rating	100-277 Vac	100-254 Vac	100-254 Vac
Power consumption	< 1 W	< 1 W	< 1 W

Ordering details**Power connection**

Part Description	JBM-100-A	JBM-100-E	JBM-100-EP
PN (Weight)	179955-000 (4.3 lb)	831519-000 (1.9 kg)	986415-000 (2.1 kg)

Power connection with light

Part Description	JBM-100-A	JBM-100-E	JBM-100-EP
PN (Weight)	656081-000 (5.3 lb)	395855-000 (2.3 kg)	300273-000 (2.5 kg)

Accessories

Conduit drain 3/4"	JB-DRAIN-PLUG-3/4IN (prevents condensate from collecting in the box) <i>ONLY FOR JBM-100-LA</i>		
Small pipe adaptor	JBM-SPA, required for pipes ≤ 1" (DN 25) D55673-000 (bag of 5 adaptors)		

Worldwide Headquarters
Tyco Thermal Controls
7433 Harwin Drive
Houston, TX 77036
USA
Tel: 800-545-6258
Tel: 650-216-1526
Fax: 800-527-5703
Fax: 650-474-7711
info@tycothermal.com
www.tycothermal.com

Canada
Tyco Thermal Controls
250 West St.
Trenton, Ontario
Canada K8V 5S2
Tel: 800-545-6258
Fax: 800-527-5703

Latin America
Tyco Thermal Controls
7433 Harwin Drive
Houston, TX 77036
United States
Tel: 713-868-4800
Tel: 713-735-8645
Fax: 713-868-2333

Europe, Middle East, Africa (EMEA)
Tyco Thermal Controls
Romeinse Straat 14
3001 Leuven
België / Belgique
Tel: +32 16 213 511
Fax: +32 16 213 603

Asia Pacific
Tyco Thermal Controls
20F, Innovation Building,
1009 Yi Shan Rd,
Shanghai 200233,
P.R.China
Tel: +86 21 2412 1688
Fax: +86 21 5426 2937 / 5426 3167

Tyco, Alliance Integrated Systems, AMC, AutoMatrix, AutoSol, BTV, CapaciSense, Chemelex, DHSX, DigiTrace, DigiTrace logo, DigiTrace Supervisor, Duoterm, ElectroMelt, EM2XR, FHSM, FHSC, FlexFit, FlexiClic, Flowguard, FreezeTrace, FreezGard, Frostex, Flostex Plus, Frostguard, FroStop, FSE, Gardian, HAK, Handvise, HBTv, HCCL, HotCap, HQTv, HTPG, HTPI, HWAT, HXTv, IceStop, Interlock, Isocable, Isodrum, Isoheat, Isomantle, Isopad, Isopad Frostguard, Isopad logo, Isopanel, Isotape, Isotherm, JBM, JBS, K-Flex, K-Flex logo, KHE, KHH, KHL, KHP, KTV, Labsafe, LBTv, LHC, LHFV, LHRV, Metabond, Mini WinterGard, Miser WinterGard, MoniTrace, Multi-plus, NGC, PetroTrace, PLI, PolyMatrix, Pyro CiC, PyroFLX, Pyromaster, Pyropak, Pyrosil, PyroSizer, Pyrotenax, Pyrotenax Designer, Pyrotenax logo, QTVR, QuickNet, QuickNet logo, QuickStat, QuickTerm, RayClic, RaySol, RayStat, Retro WinterGard, RHS, RHSC, RHSM, RMM2, SBF, SBV, SC, SHC, Sheathmaster, ShowerGuard, SLBTv, Smart heat for Comfort and Safety, SnoCalc, SnoCalc logo, STS, System 500, System 1850, System 1850-SE, System 2000, System 2200, T2, T2 logo, T2Blue, T2QuickNet, T2Red, T2Reflecta, TankCalc Plus, TempBus, Thermoheat, ThermoLimit, Thermo-Line, Total Care in Heat-tracing, Touch, Trac-Loc, Trac Calc, TraceCalc Net, TraceCalc Net logo, TraceCalc Pro logo, TraceGuard 277, TraceMaster, Tracer, Tracer logo, TRACERLYNX, TRACERLYNX logo, TraceStat, TraceTek, TraceTek logo, TruckPak, VLBTv, VLKTV, VPL, We manage the heat you need, WinterGard, WinterGard logo, WinterGard Plus, WinterGard Wet, XL-ERATE, XL-ERATE logo, XL-Trace, XTV and Zero EMI are registered and/or unregistered trademarks of Tyco Thermal Controls LLC or its affiliates.

All other trademarks are the property of their respective owners.

tyco
Thermal Controls

Important: All information, including illustrations, is believed to be reliable. Users, however, should independently evaluate the suitability of each product for their particular application. Tyco Thermal Controls makes no warranties as to the accuracy or completeness of the information, and disclaims any liability regarding its use. Tyco Thermal Controls' only obligations are those in the Tyco Thermal Controls Standard Terms and Conditions of Sale for this product, and in no case will Tyco Thermal Controls or its distributors be liable for any incidental, indirect, or consequential damages arising from the sale, resale, use, or misuse of the product. Specifications are subject to change without notice. In addition, Tyco Thermal Controls reserves the right to make changes—without notification to Buyer—to processing or materials that do not affect compliance with any applicable specification.